

ZIP - Wall mount

Wall mount for flat displays



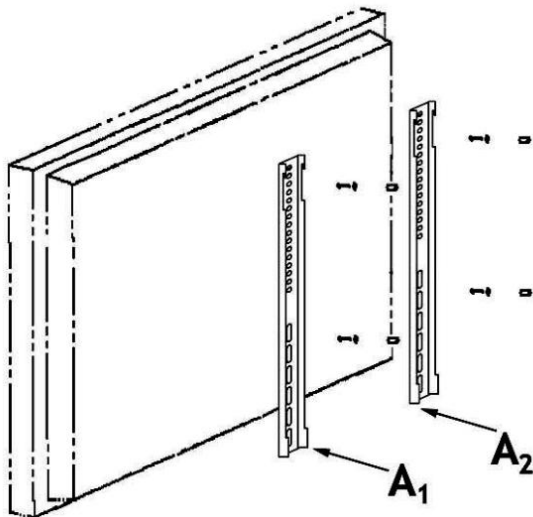
LIST OF ITEMS:

- Mount elements(3 pcs.)
- Mounting set (1 set.)
- Instruction manual
- Vertical frame elements (2 pcs.)

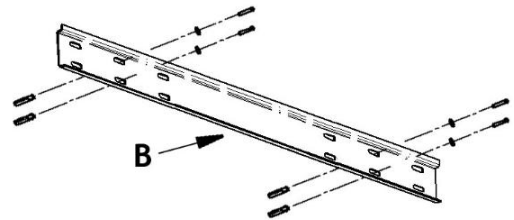


1. Installation:

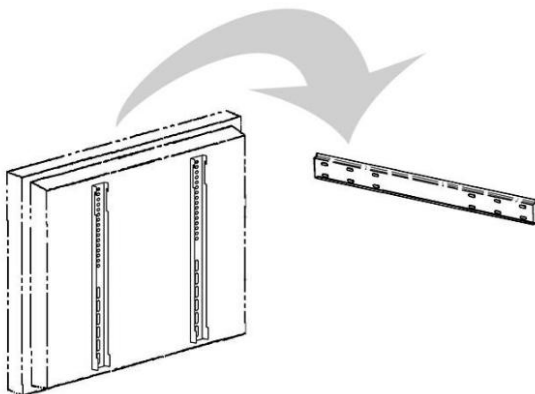
2A. Install A1 and A2 elements to your flat display using proper screws from mounting set.



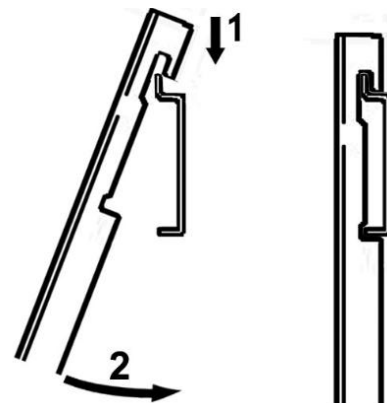
2B. Level the element B before, then install it to a wall, using proper dowels.



2C. Mount flat display with elements A1 and A2 on element B already installed on a wall

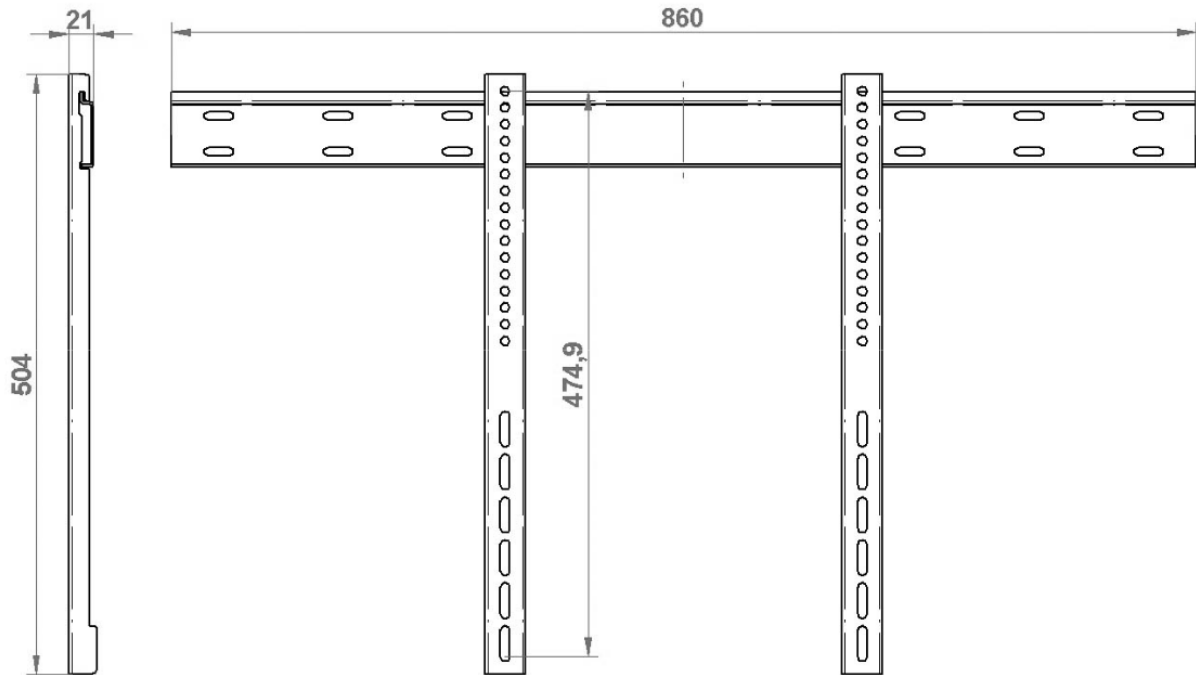


2D. Make installation in 1 and 2 steps as described below. In that layout of wall mount, it will block and secure your flat display.



3. Adjustment:

ZIP Plasma mount is dedicated for slim, fixed installation



4. Technical Specification:

Model name:	ZIP Plasma Mount
Adjustment:	fixed
Own weight:	1,7 kg
Capacity:	50 kg

5. Mounting set:

screws	M5x16 – 4 pcs.; M6x20 – 4 pcs.; M8x20 – 4 pcs.;
washers	Ø 6x12 – 4 pcs.; Ø 8x16 – 4 pcs.;
dewels	Ø 10x50 – 4 pcs.
screws	Ø 6x50 – 4 pcs.

Manufactured by: VIZ-ART Automation
tel.+48 22/6138899 www.viz-art.eu