

ART-LIFT

S: 544;
M: 684;
HD L: 824;
HD XL: 1104;



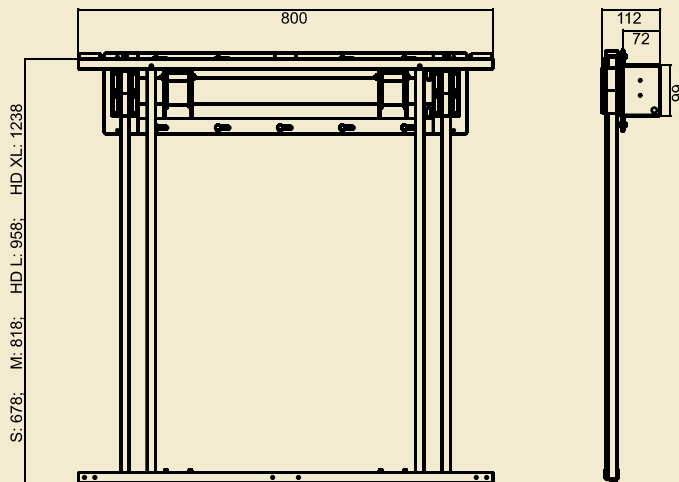
Advantages of lift: product range from 37"-85" Flat display or TV. Decorative front panel, painting, mirror, moves to hide or reveal your LCD TV or video conferencing system mounted in a niche.

Functionality: invisible mechanism (hidden behind a front cover); adjustable range of motion; Somfy motor; easy installation.

Control options : IR remote, RF remote, Trigger, SmartHome/Home automation Control Systems.

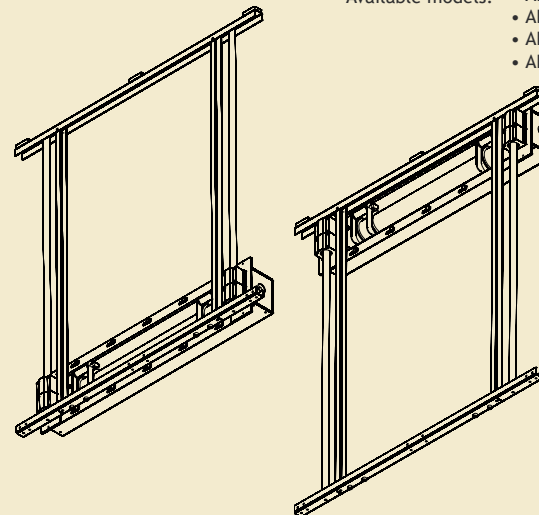


ART- LIFT mechanism dedicated for original residence project and special arrangement. Silent and steady work and high capacity up to 40 kg.



Available models:

- ART-LIFT S
- ART-LIFT M
- ART-LIFT HD L
- ART-LIFT HD XL



ART-LIFT S / ART-LIFT M / ART-LIFT HD L / ART-LIFT HD XL	
Available TV sizes	S: to 37"; M: to 46"; HD L: to 65"; HD XL: to 85"
Capacity [kg]	S: 27; M: 27; HD L: 40; HD XL: 40
Weight [kg]	S: 12; M: 13; HD L: 15; HD XL: 16
Range of motion / drop [mm]	S: 544; M: 684; HD L: 824; HD XL: 1104
Construction Height [mm]	S: 695; M: 835; HD L: 975; HD XL: 1255
Installation	Wall / Hardwall
Remote control	<ul style="list-style-type: none"> • wall switch • option: IR, RF, Trigger 230V, Smart, Control Systems
Adjustment	programmable
Power supply	SOMFY, 230V 50Hz; 180W; 42dB
Security	overload thermal
Set	<ul style="list-style-type: none"> • lift • installation elements • wall switch • installation manual
Warranty	5 years (motor Somfy)
Producer	VIZ-ART Automation Europe