

# CINE-LIFT



Advantages of the lift: unique design and appearance of the lift shows attention to every detail in the case of the AV setup. Appreciated by designers and demanding users. Quick installation.

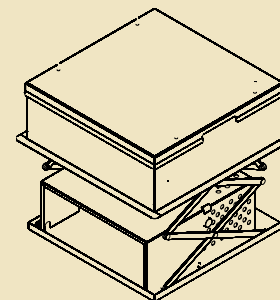
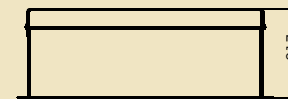
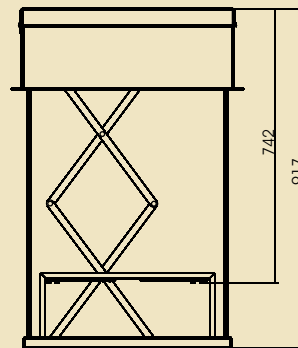
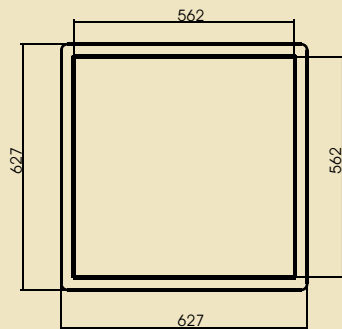
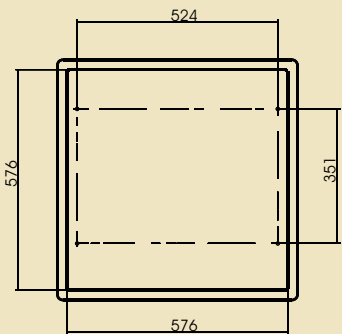
**Functionality:** lift cover hides the projector; accurate positioning; precise settings; quiet operation; Somfy drive; control options: IR and RF remote control, Trigger, RS232.



WWW.VIZ-ART.EU



Newest ceiling mounted projector lift design. Ideal for use in the most elegant home theatre interiors. The interesting lift casing allows for extremely easy installation, while the projector is protected and only slightly visible.



Available models: • CINE-LIFT 8/700

## CINE-LIFT

Extension [mm]	700
Capacity [kg]	8
Own weight [kg]	27
Dimensions [mm]	D 627; W 627
Installation space [mm]	217
Max dimensions of projector [mm]	W - 445 D - 470 H - 160
Mounting hole in the ceiling [mm]	590x590
Remote control	• switch key • option: IR, RF, Trigger, RS232
Power supply	SOMFY, 230V 50Hz; 95W
Security	• thermal and overload protection,
Set	• lift; • assembly kit; • switch key; • mounting instruction manual;
Warranty	5 years (power supply)
Producer	VIZ-ART Automation Europe

