

INFINITY / INFINITY II



INFINITY iPad Frame, a device used for wall mounting an iPad that runs an intelligent home system. Allows you to embed your iPad completely in the wall. Only a stylish frame will be visible against the surface.

Easy installation: Mounted in a wall niche, leaving only a stylish glass frame visible. A reliable mounting method which ensures that your iPad remains safe and stable.

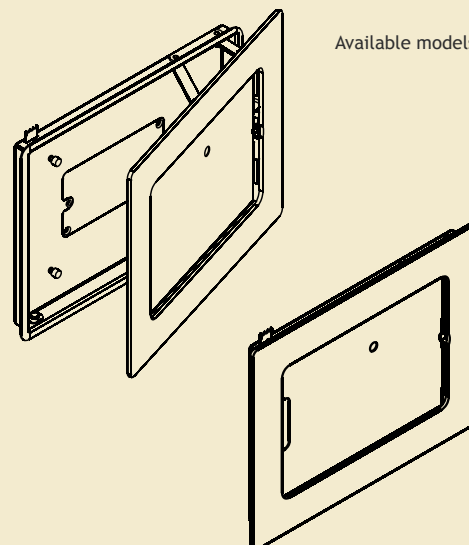
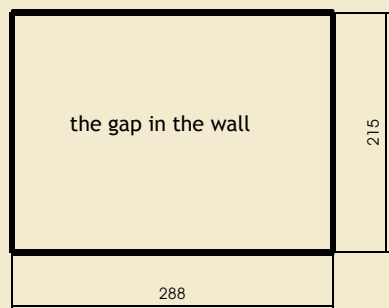
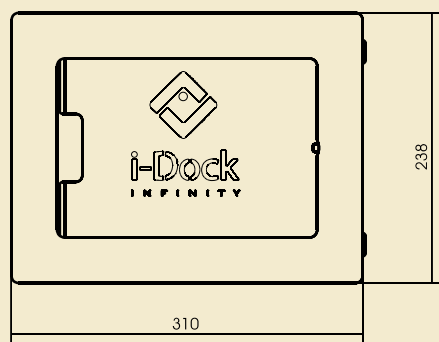
Colours: The INFINITY iPad Frame is available in white and black to match the iPad colour.

Power: Your iPad can be powered by the original Apple cable, never running out of battery. A Lightning Connector cable is included.



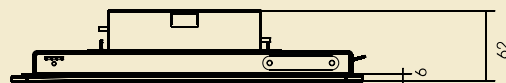
Applications: Easy to mount either horizontally or vertically. A perfect alternative for all smart home control touch screens. Can be integrated in residential, home and commercial settings.

Ease of use: You can lift up the INFINITY iPad Frame at any time to remove the iPad and sit down comfortably on a couch. When you insert the iPad back into the frame, it resumes its functions as an intelligent home monitoring device.



Available models:

- INFINITY
- INFINITY II



INFINITY / INFINITY II	
Materials	glass, steel painted
Compatibility INFINITY	<ul style="list-style-type: none"> • iPad • iPad Air2 • iPad Air (PRO 9,7")
Compatibility INFINITY II	<ul style="list-style-type: none"> • iPad 5 (5 generation 2017) • iPad 2018
Colours	<ul style="list-style-type: none"> • white • black
Applications	<ul style="list-style-type: none"> • horizontally • vertically
Option	adapter
Power	original cable Lightning Connector is included
Security	closing magnets
Installation	in a wall niche
Producer	VIZ-ART Automation Europe

