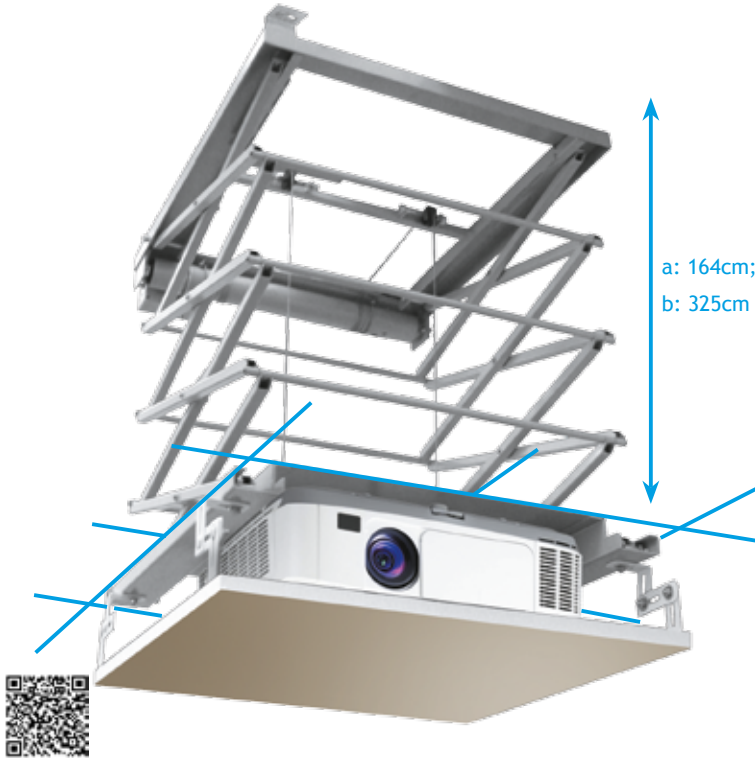


# SLIM LIFT



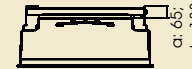
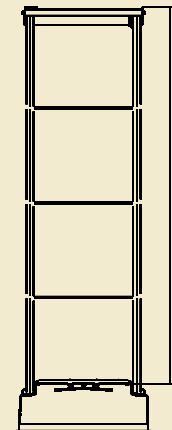
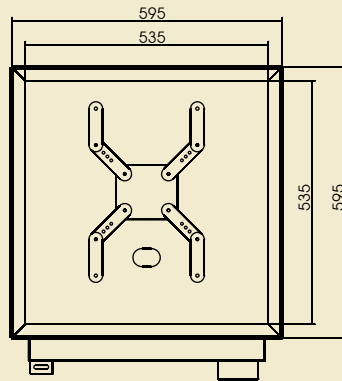
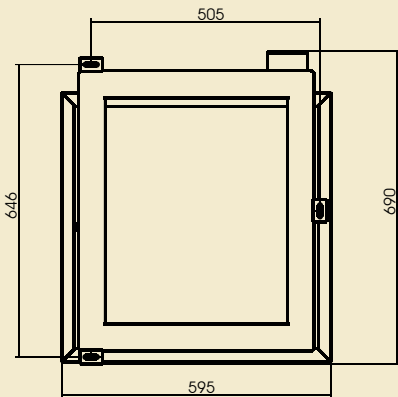
Advantages of the lift: touch programming and highest repeatability of positions.

Functionality: comfortable use; accurate positioning and precise operations; quiet operation; Somfy drive; control options: IR and RF, Trigger and RS232.

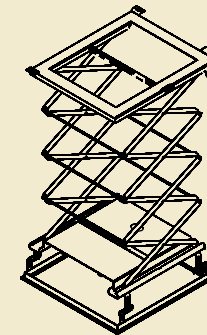
a: 164cm;  
b: 325cm



Supreme and highly comfortable to use lifts, excellent for each projector model. Easy for projector installation in a small space above the ceiling. Comfort of use, quiet operation, wireless control\*, RS232 - all these are important features of perfection.



Available models: • SLIM-LIFT 12/1640 (a);  
• SLIM-LIFT 10/3250 (b);



SLIM-LIFT	
Extension [mm]	a: 1640; b: 3250
Capacity [kg]	a: 12; b: 10
Own weight [kg]	a: 24; b: 30
Dimensions [mm]	D 676; W 548
Installation space [mm]	a: 65 + H projector; b: 133 + H projector
Max dimensions of projector [mm]	W - 390; D - 470; H - 170
Mounting hole in the ceiling [mm]	580x580
Remote control	• wall switch, • option: IR, RF, Trigger, RS232
Continuous functioning of the engine	4 minutes
Installation	3 points of stability
Power supply	SOMFY, 230V 50Hz; 90W; 42dB
Security	• thermal and overload protection, • safety brake
Set	• lift; • adapter; • ceiling closing panel (frame); mounting template; • mounting instruction manual; • wall switch; • assembly kit;
Warranty	2 years (power supply)
Producer	VIZ-ART Automation Europe

