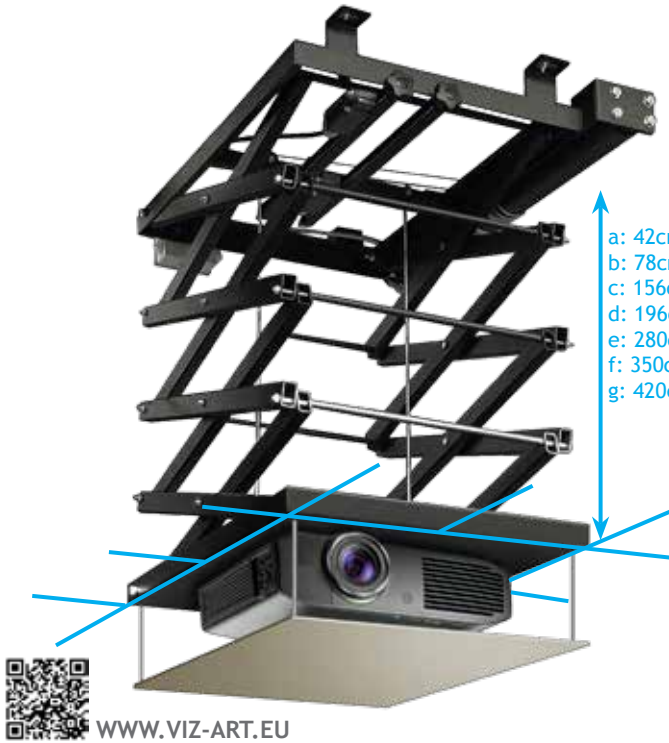


# SPAV 30

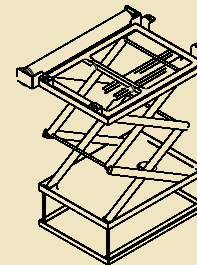
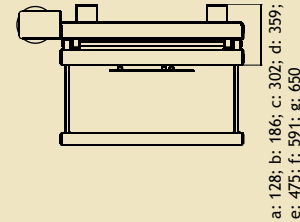
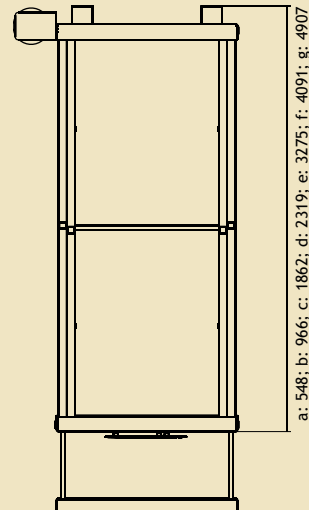
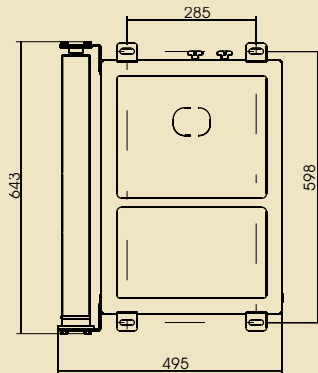
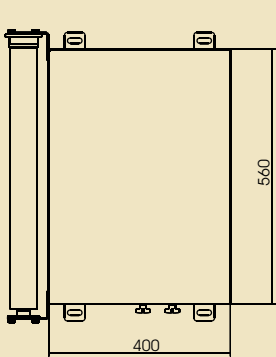


**Advantages of the lift:** lifting capacity for a projector weighing up to 30 kg and a range of movement from 42 cm to 420 cm make it possible to choose the best lift model for any important AV project.

**Functionality:** solid construction; mechanical limit switches; precision; low noise; Somfy drive; control options: IR and RF remote control, Trigger and RS232.



Professional and most popular models of projector lifts. A stable lift construction and precision allows SPAV to be installed in areas that see intensive use (halls, hotels and museums).



Available models:

- SPAV 30/420 (a);
- SPAV 30/780 (b);
- SPAV 30/1560 (c);
- SPAV 30/1960 (d);
- SPAV 30/2800 (e);
- SPAV 30/3500 (f);
- SPAV 30/4200 (g)

## SPAV 30

Extension [mm]	a: 420; b: 780; c: 1560; d: 1960; e: 2800; f: 3500; g: 4200
Capacity [kg]	30
Own weight [kg]	a: 26; b: 29; c: 35; d: 38; e: 44; f: 50; g: 53
Dimensions [mm]	D 630; W 527
Installation space [mm] (without projector)	a: 128; b: 186; c: 302; d: 359; e: 475; f: 591; g: 650
Max dimensions of projector [mm]	W - 360; D - 520; H - without limit
Mounting hole in the ceiling[mm]	565x565
Remote control	• switch key • option: IR, RF, Trigger, RS232
Continuous functioning of the engine	4 minutes
Installation	4 points of stability
Power supply	SOMFY, 230V 50Hz; 100W; 42dB
Security	• thermal and overload protection, • safety brake
Set	• lift; • adapter; • ceiling closing panel (frame); mounting template; • mounting instruction manual; • switch key; • assembly kit;
Warranty	5 years (power supply)
Producer	VIZ-ART Automation Europe

