

Installation diagram with TRIGGER 230V AC and RF Receivers.

VIZ-ART VIZMOTE 1; VIZMOTE 5

(((RF)))



VIZMOTE 1 & VIZMOTE 5 are 1 and 5 channel radio remote controls. Paired with RF Receiver, VIZMOTE 1 & VIZMOTE 5 remote control is dedicated for projection screens, projectors, shades/blinds etc. 1 VIZMOTE can control up to 8 RF receivers. VIZMOTE remote control can manage AV and home theater systems. Includes wall bracket for remote control.

Built-in RF receiver



(((RF)))

Together with Somfy remote control, used to control motorized projection screen. Somfy RF 1 and RF 5 remote control compatible. Operating range of the built-in RF receiver 30 meters from remote control.

VIZ-ART RF receiver



(((RF)))

RF receiver controls AV equipment powered with 230V, home & office automation systems etc. Best for Central Control System extensions without any additional wiring. RADIO REMOTE TOUCH 1 remote control and Trigger 230V compatible. LVC in standard.

RF remote control



(((RF)))

1-channel Somfy remote control for controlling 1 unit or 1 group of AV units. 5-channel version controls max. 5 units or groups of AV units (projection screens, motorized lifts, blinds, curtains etc.) Somfy RF receiver and built-in Somfy RF receiver compatible.

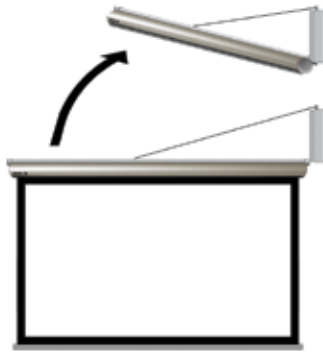
RF receiver with buttons



(((RF)))

RF receiver with control buttons. Mostly used to control projection screens and projector lifts in meeting rooms. Somfy RF 1 and RF 5 remote control compatible. Operating range: 30 meters from remote control.

VIZ-ART SCREEN-LIFT

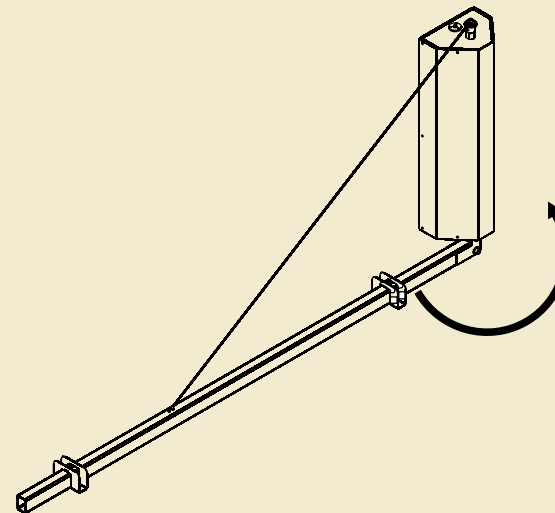
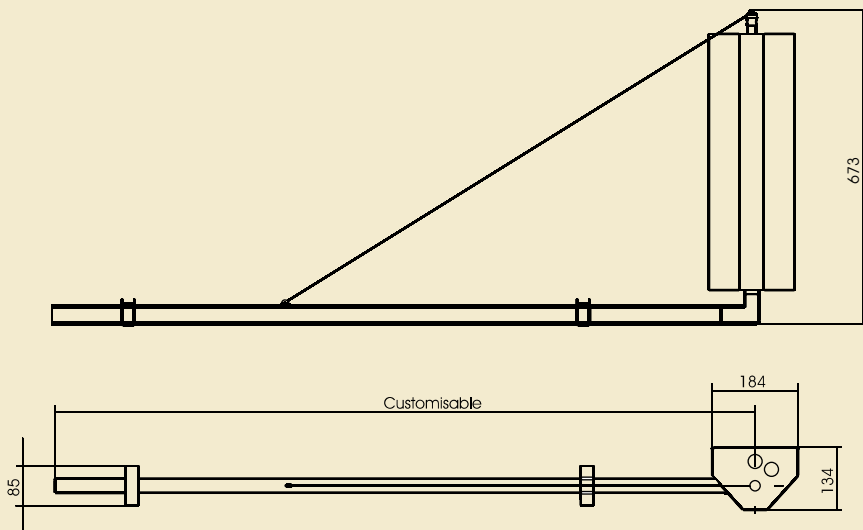


Advantages: tilts a screen with a width from 160 cm to 300 cm, exposing the scene central part and closing at the end of the projection. Introduces AV technology to the conference interiors.

Functionality: quiet and smooth operation; adjustable settings; easy operation; solid construction; stable for screens between 160 - 300 cm; 230V power supply; control options - IR, RF remote control, Trigger, RS232, LVC, SMART Box.



System for tilting a projection screen in the direction of a wall that is often used in conference halls.



Available models: • SCREEN-LIFT



Version 2.0

SCREEN-LIFT	
Max. width of base [cm]	300
Capacity [kg]	25
Own weight [kg]	8 - 12
Installation	wall
Control system	<ul style="list-style-type: none"> • wall switch • option: IR RF, Trigger 5-30V, LVC, SMART Box
Power supply	SOMFY, 220V-60Hz, 230V-50Hz; 180W; 42dB
Security	thermal and overload protection,
Set	<ul style="list-style-type: none"> • lift; • mounting instruction manual; • wall switch; • assembly kit;
Warranty	2 years (power supply)
Producer	VIZ-ART Automation Europe