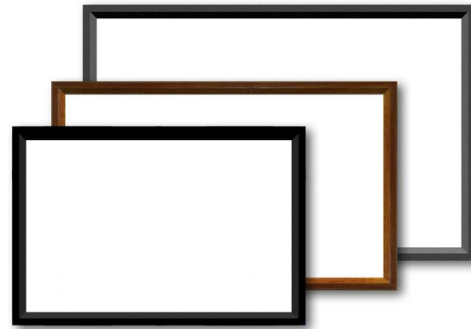


# FRAME

Frame Screen

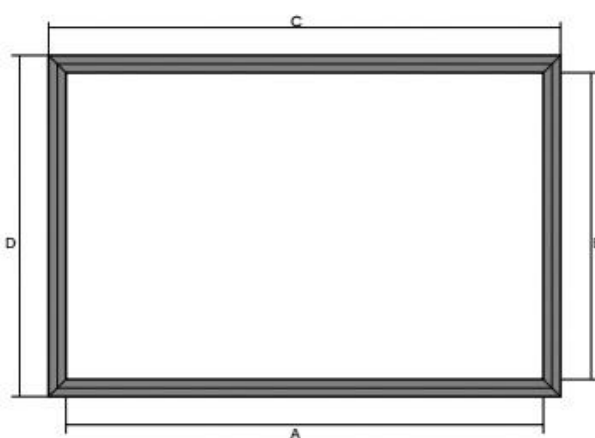
**COMPONENT LIST:**

- Frame elements (A,C) – 4 pcs.
- Angle Mounting brackets (B,E) – 4 pcs.
- Projection surface – 1 pcs.
- Mounting pins – 1 set.
- Mounting brackets – 2 pcs.



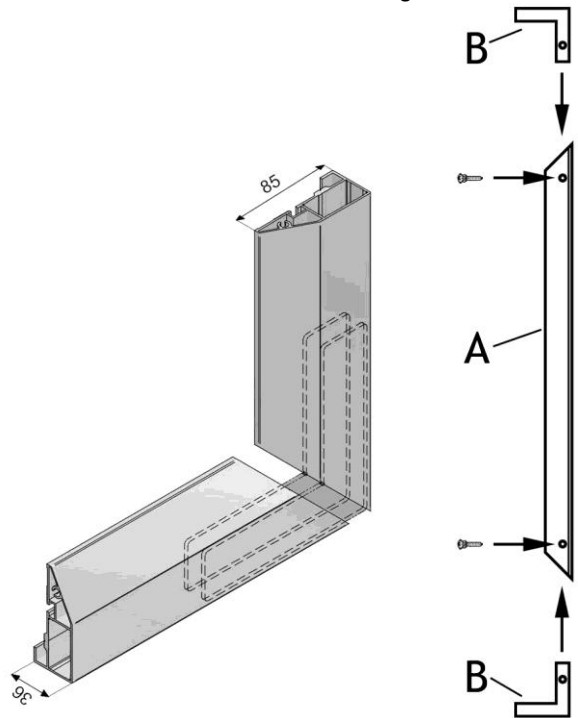
**1. INSTALLATION:**

**A. Size Chart:**

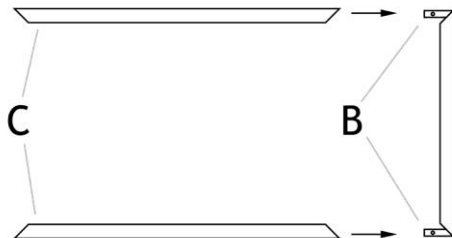


Width (mm)	4:3				16:9			
	A	B	C	D	A	B	C	D
FRAME 180	1800	1350	1970	1520	1800	1013	1970	1183
FRAME 200	2000	1500	2170	1670	2000	1125	2170	1295
FRAME 240	2400	1800	2570	1970	2400	1350	2570	1520
FRAME 260	2600	1950	2770	2120	2600	1463	2770	1633
FRAME 280	2800	2100	2970	2270	2800	1575	2970	1745
FRAME 300	3000	2250	3170	2420	3000	1688	3170	1858
FRAME 350	3500	2625	3670	2795	3500	1969	3670	2139
FRAME 380	3800	2850	3970	3020	3800	2138	3970	2308
FRAME 400	4000	3000	4170	3170	4000	2250	4170	2420

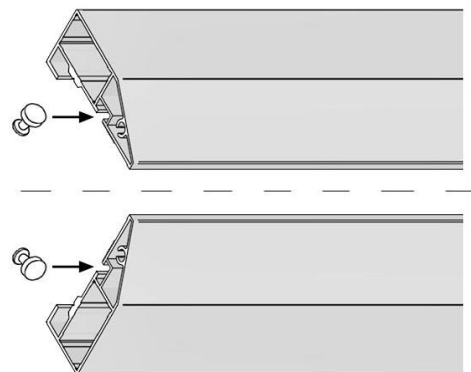
**B.** Mount the frame as described on a picture below. Please slide Mounting pins into left and right frame elements. Slide Angle Mounting brackets-B inside element A. Then elements should be screwed together.



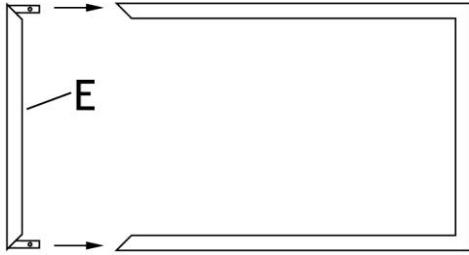
**C.** Frame elements – C side in Angle Mounting brackets – B, then elements should be screwed together.



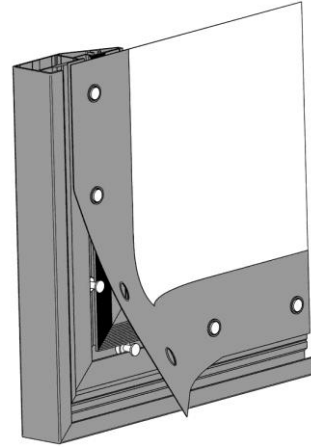
**D.** Please slide Mounting pins into top, bottom and left and right frame elements.



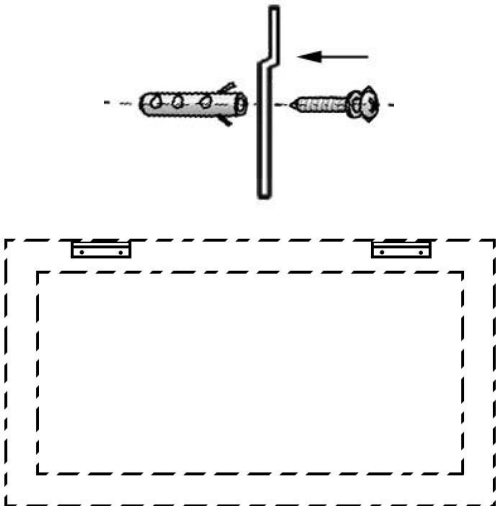
E. Attach element E (with already mounted Angle Mounting brackets) to a Frame. Screw it together.



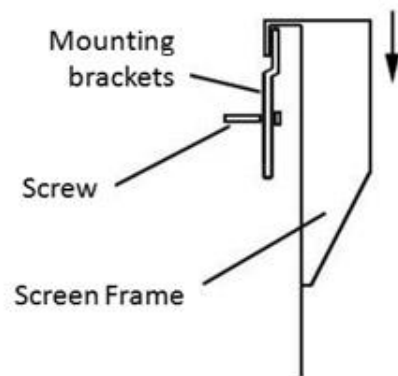
F. Place the frame horizontally to prepare for surface attachment. Mounting pins (for projection surface attaching) should be adjusted according to holes in projection surface. Start (from the top) attaching surface on mounting pins.



G. Mark the mounting points on a wall. Using mounting pins from set, attach mounting brackets to the wall.



H. Attach the screen on mounting brackets to the wall.



## 2. TECHNICAL DATA:

Model name:

FRAME CLASSIC  
FRAME VELVET

Available Aspect Ratio:

Video      Cine      Wide  
4:3      16:9      16:10      and more

Maintenance:

Frame: delicate dry cloth  
Proj.surface: moist cloth with soap, wipe dry

Manufacturer: VIZ-ART Automation  
tel.+48 22/6138899 www.viz-art.eu