

LEO/LEO2 Mount

Ceiling mount for flat displays and TV



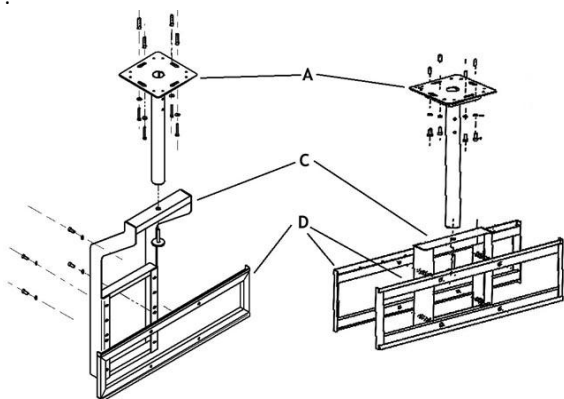
LIST OF ITEMS::

- Mount
- Mounting set
- Installation manual

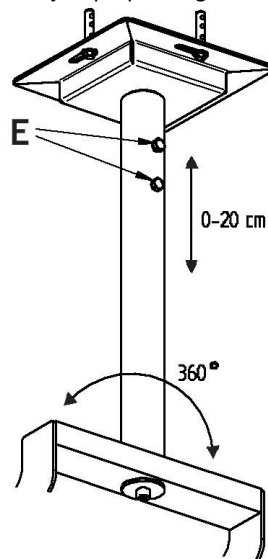


1. Installation & Adjustment:

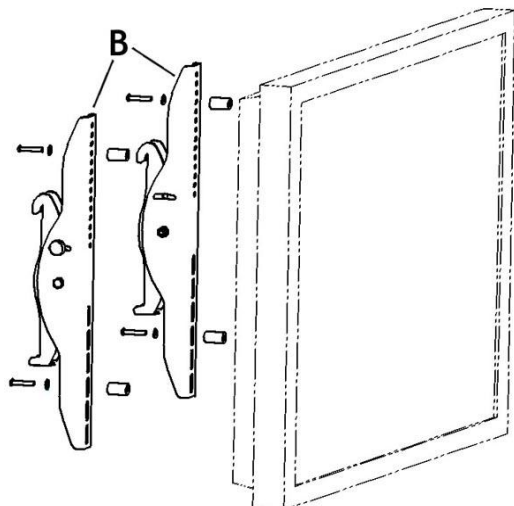
A. Prepare an installation place on the ceiling. Element A install on a ceiling. Then install element C. On expected height install element D (according to picture below). Use mounting screws from mounting set.



B. Using screws E adjust proper height of the mount.

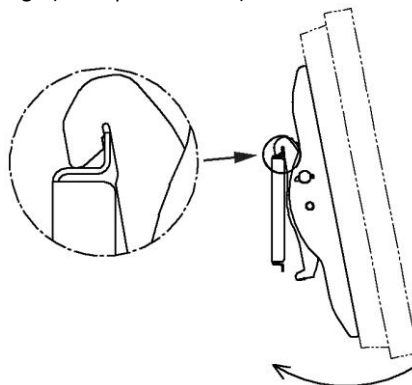


C. mounting arms B attach do back side of display/TV, using mounting screws from mounting set.

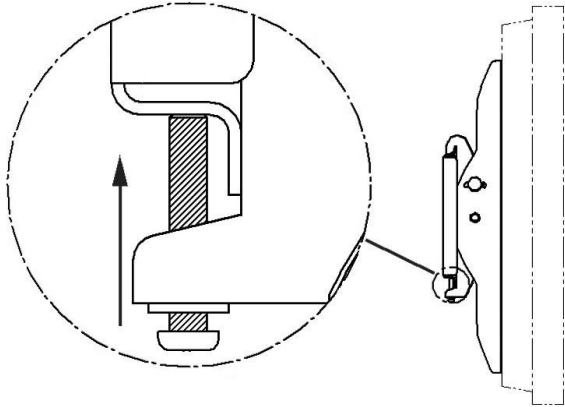


D. On a element D hang Flat screen with already mounted arms B. Tighten the locking screws until you feel resistance

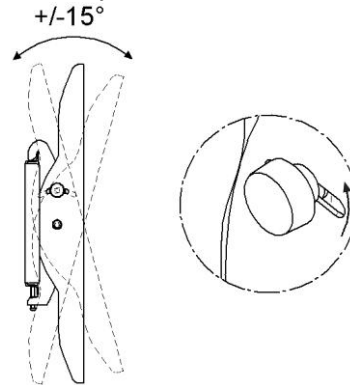
WARNING! Correct mounting of elements is required for safety usage (as on picture below)



E. Tighten the locking screws until you feel resistance. Ensure that monitor/TV is stable on mount



F. Comfort adjustment
Tilt properly monitor/TV to have a comfort view TV. Lock position after adjustment.



2. Technical Specification:

Product model:	LEO/LEO2 Plasma Mount
Adjustment:	Up-Down – 31 degree Rotation – 360 degree Range of adjustment – 200 mm
Weight:	LEO Plasma Mount 15 kg LEO2 Plasma Mount 16,5 kg
Capacity:	75 kg
3. Mounting kit set :	
bolts:	M5x35 – 8 pcs.; M6x36 – 8 pcs. M6x50 – 8 pcs.; M8x50 – 8 pcs.; M12x60 – 1 pcs.; M8x20 – 8 pcs.
screws:	∅ 10x18 – 4 pcs.
washers:	∅ 8x50 – 8 pcs.; ∅ 6x18 – 8 pcs. ∅ 10x20 – 4 pcs.; ∅ 12x50 – 1 pcs.
spacers:	∅ 6x10 – 8 pcs.; ∅ 8x18 – 8 pcs.
tools:	Hex tool 4 – 1 pcs. Hex tool 5 – 1 pcs. Hex tool 6 – 1 pcs.
dowels:	∅ 10x20 – 4 pcs.

Produced by: VIZ-ART Automation
tel.+48 22/6138899 www.viz-art.pl