

VIZ-ART CP-LIFT M



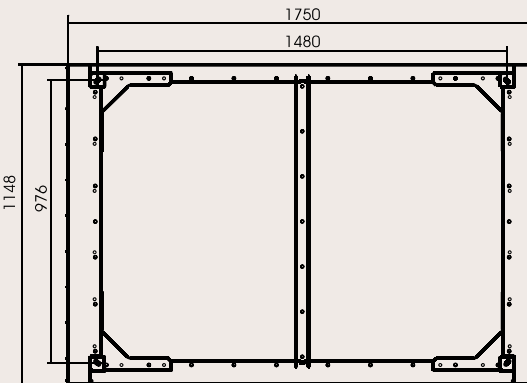
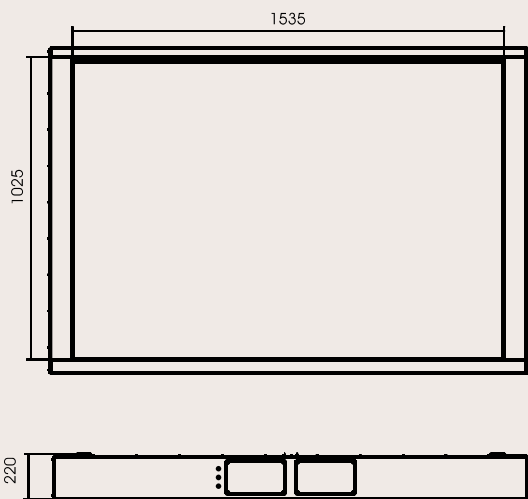
Advantages of the lift: ideal for modern design and representative with a TV visible only when in use, quietly moves the TV to the desired position.

Functionality: original design; convenient and easy to use; installation in the ceiling; TV tilts by 105°, 230V; control options: IR, RF, Trigger, LVC, SMART Box, central control system.

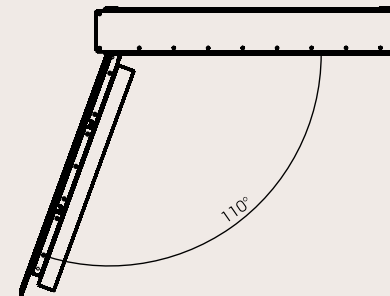


Ceiling lift for mounting a TV horizontally mounted in the ceiling. The television set is hidden above the ceiling and, at the touch

of a button on the remote control, descends and then stops in the desired position. It meets the expectations of demanding users.



Available models: • CP-LIFT M



VIZ-ART CP-LIFT M	
Max dimensions of TV [mm]	W - 1470; H - 870; D - 120;
Capacity [kg]	60
Own weight [kg]	149
Min dimensions of lift space [mm]	W - 1740; H - 1150; D - 227;
Installation	ceiling
Remote control	<ul style="list-style-type: none"> • wall switch • option: IR, RF, Trigger, RS232, LVC, SMART Box
Stop positions	adjusted - programmable
Power supply	SOMFY, 220V-60Hz, 230V-50Hz; 90W; 42dB
Security	overload and thermal protection
Set	<ul style="list-style-type: none"> • lift • elements to mounting TV • wall switch • mounting instruction manual
Warranty	2 years (power supply)
Producer	VIZ-ART Automation Europe