

# VIZ-ART CP-LIFT S



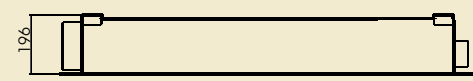
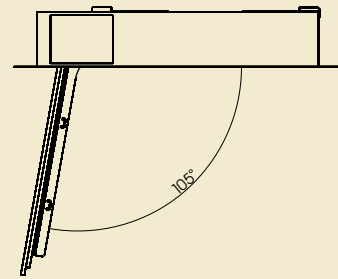
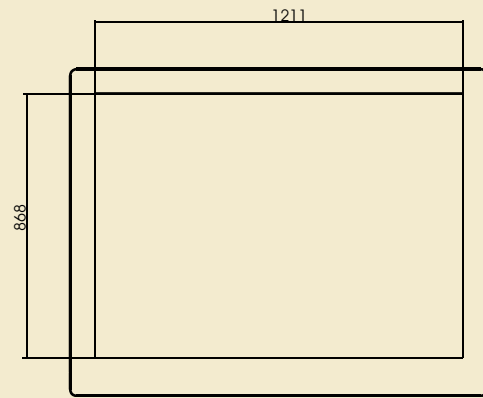
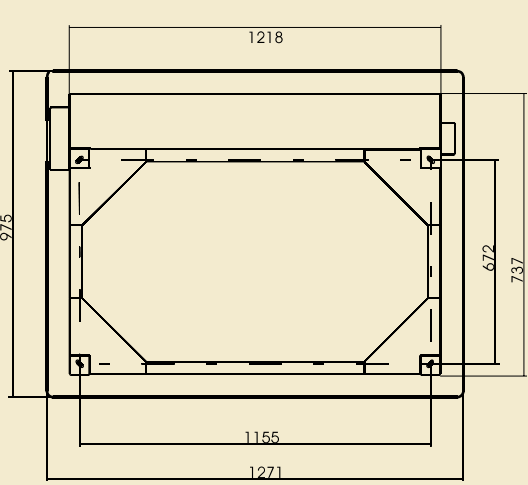
**Advantages of the lift:** ideal for modern design and representative with a TV visible only when in use, quietly moves the TV to the desired position.

**Functionality:** original design; convenient and easy to use; installation in the ceiling; TV tilts by 105°, 230V; control options: IR, RF, Trigger, LVC, SMART Box, central control system.



Ceiling lift for mounting a TV horizontally mounted in the ceiling. The television set is hidden above the ceiling and, at the touch

of a button on the remote control, descends and then stops in the desired position. It meets the expectations of demanding users.



CP-LIFT S	
Max dimensions of TV [mm]	W - 1205; H - 730; D - 125
Capacity [kg]	45
Own weight [kg]	68
Min dimensions of lift space [mm]	W - 1350; H - 970; D - 185
Installation	ceiling
Remote control	<ul style="list-style-type: none"> <li>wall switch</li> <li>option: IR, RF, Trigger, RS232, LVC, SMART Box</li> </ul>
Stop positions	adjusted - programmable
Power supply	SOMFY, 220V-60Hz, 230V-50Hz; 90W; 42dB
Security	overload and thermal protection
Set	<ul style="list-style-type: none"> <li>lift</li> <li>elements to mounting TV</li> <li>wall switch</li> <li>mounting instruction manual</li> </ul>
Warranty	2 years (power supply)
Producer	VIZ-ART Automation Europe

