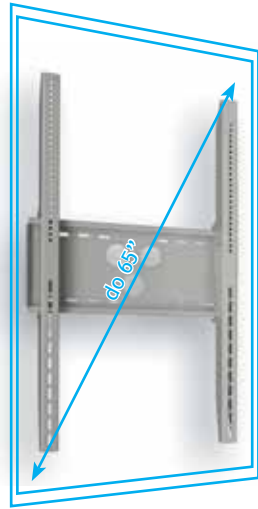
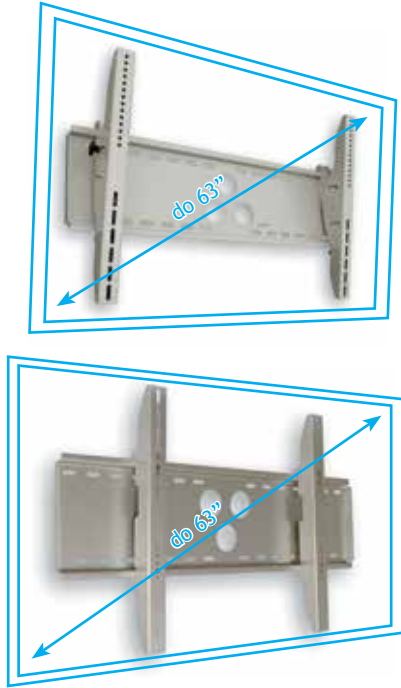


FLEXI / STATIC / STATIC Vertical



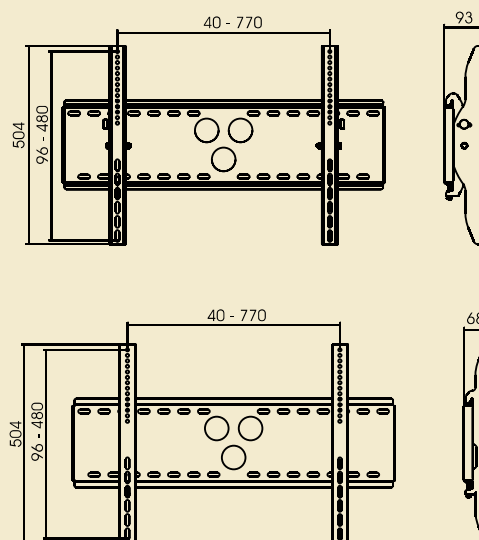
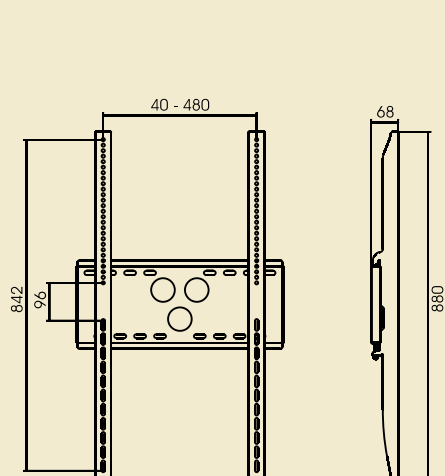
Advantages: stable and reliable line on LCD/TV mounts. Adjusted monitor mountings; Fixed/ Tilt and Horizontal/ Vertical installation models available. Compatible with multiple LCD/TV offered on the market.

Functionality: easy installation; adjusted monitor mountings; solid workmanship; compatible with multiple LCD/TV models.

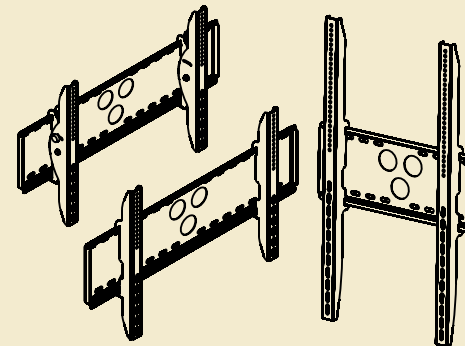


Most popular and reliable Wall mounts for flat displays. Universal mount fits to almost every

monitor/TV models. Capacity up to 65kg. RAL powder coating.



- Available models:
- FLEXI Mount (a)
 - STATIC Mount (b)
 - STATIC VERTICAL Mount (c)



FLEXI Mount (a); STATIC Mount (b); STATIC Vertical Mount (c)

Capacity [kg]	a: 65; b:65; c:65
Own weight [kg]	a: 5,2; b:5,1; c:6,1
Dimensions [mm]	D - 93; b:68; c:70 W - 820; b:820; c:880 H - 504; b:504; c:521
Cables management	inside mount hiding cables
Security	stable installation system
Set	• mount; • mounting template; • mounting instruction manual;
Warranty	2 years
Producer	VIZ-ART Automation Europe

