

# INFINITY mini



INFINITY mini, a device used for wall mounting an iPad that runs an intelligent home system. Allows you to embed your iPad completely in the wall. Only a stylish frame will be visible against the surface.

**Easy installation:** Mounted in a wall niche, leaving only a stylish glass frame visible. A reliable mounting method which ensures that your iPad remains safe and stable.

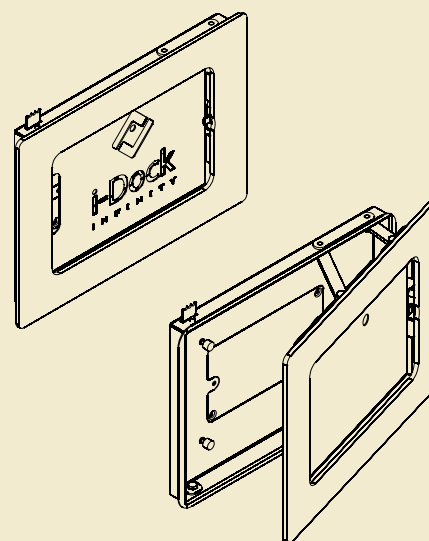
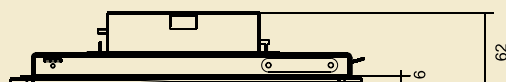
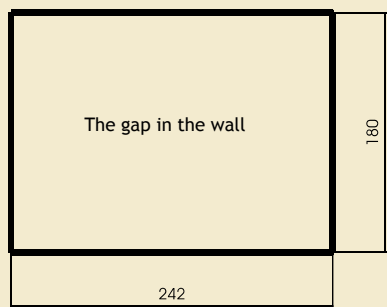
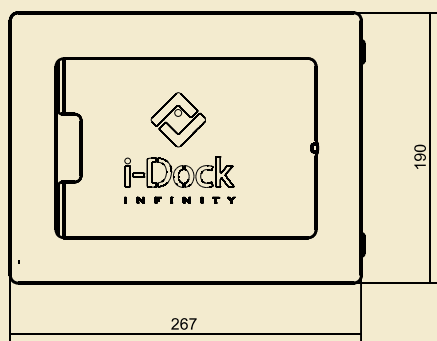
**Colours:** The INFINITY mini is available in white and black colours.

**Power:** Your iPad can be powered by the original Apple cable, never running out of battery. A Lightning Connector cable is included.



**Ease of use:** You can lift up the INFINITY mini at any time to remove the iPad. When you insert the iPad back into the frame, it resumes its functions as an intelligent home monitoring device.

**Applications:** Easy to mount either horizontally or vertically. A perfect alternative for all smart home control touch screens.



INFINITY mini	
Materials	glass, powder coated steel
Compatibility	<ul style="list-style-type: none"> <li>• iPad mini</li> <li>• iPad mini 2</li> <li>• iPad mini 3</li> <li>• iPad mini 4</li> </ul>
Colours	<ul style="list-style-type: none"> <li>• white</li> <li>• black</li> </ul>
Applications	<ul style="list-style-type: none"> <li>• horizontally</li> <li>• vertically</li> </ul>
Option	wall adapter
Power	original cable Lightning Connector is included
Security	closing magnets
Installation	in a wall niche
Warranty	1 year
Producer	VIZ-ART Automation Europe

