

LEADER mount

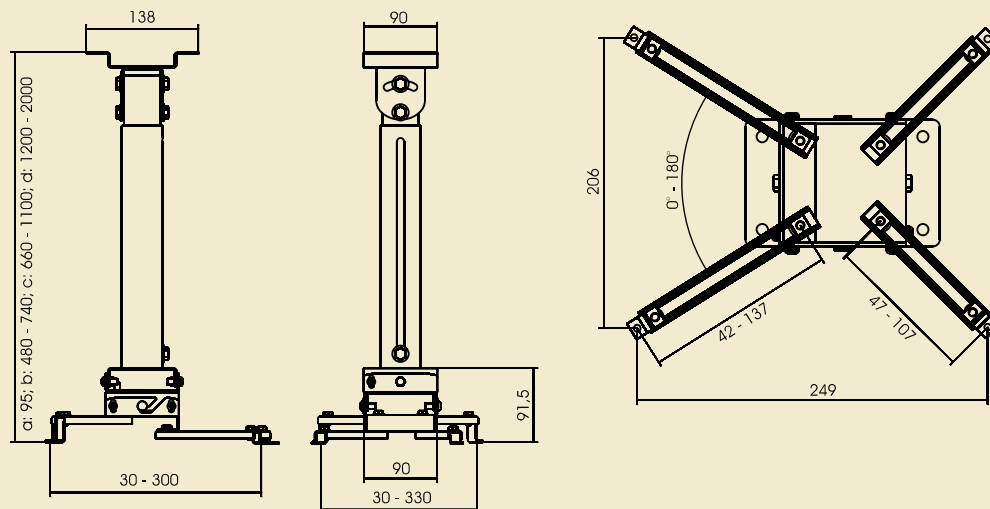
Advantages: universal projector mount; smoothly adjustable on all axis; convenient height adjustment; popular solution for AV installation.

Functionality: direct and several adjustment ranges ceiling mounts; H&V-adjustable, solid workmanship; Inside mount hiding cables; Capacity 10kg; assembly stability, RAL powder coating.

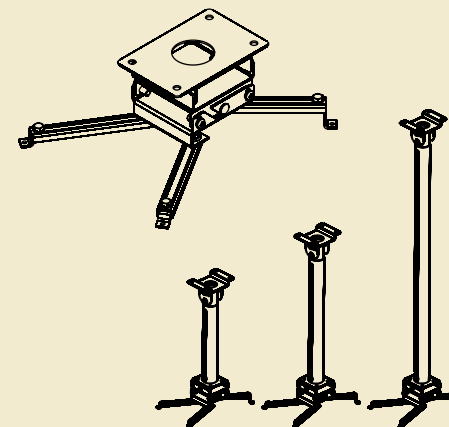


Universal ceiling mount for projectors up to 10 kg. Stable and functional with convenient projector positioning, adjustable

on all axis. Direct and Range of adjustment 48-200cm. Greater adjustment range on request. Best choice for AV integrators for many years.



- Available models:
- LEADER Mount direct (a)
 - LEADER Mount 48-74 (b)
 - LEADER Mount 66-110 (c)
 - LEADER Mount 120-200 (d)



LEADER Mount: direct (a); 48-74 (b); 66-110 (c); 120-200 (d)

Extension [mm]	a: direct; b: 48-74; c:66-110; d: 120-200
Capacity [kg]	10
Own weight [kg]	a: 1,1; b: 3,0; c:4,0; d: 6,5
Dimensions [mm]	D - 138 W - 90 H - a: 95; B: 480/740; c: 660/110; d: 1200/2000
Cables management	inside mount hiding cables
Security	stable installation system
Set	• mount; • mounting template; • mounting instruction manual;
Warranty	2 years
Producer	VIZ-ART Automation Europe

