

LEADER Motion Mount



do 270°



do 270°



do 270°

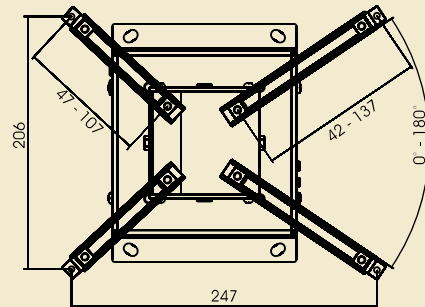
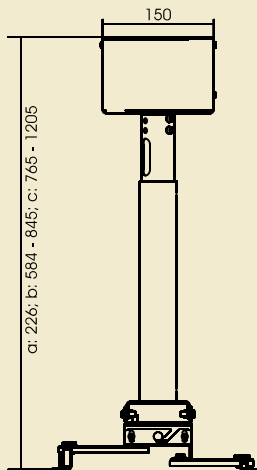
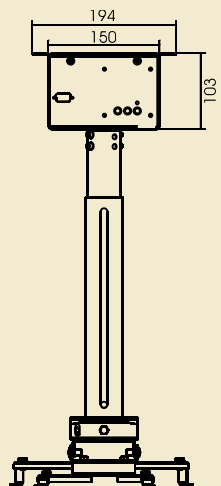
Advantage: motorized motion mount, ideal for projection on two screens (programmable and RS-232); precise adjustment on all axis. For projectors up to 15 kg.

Functionality: rotation up to 270degree for projection on two screens; ceiling mounted; adjustment on all axis; direct and range adjusted arm, inside arm hiding cables; powered 230V; capacity 15kg; reliable construction; RAL powder coating.

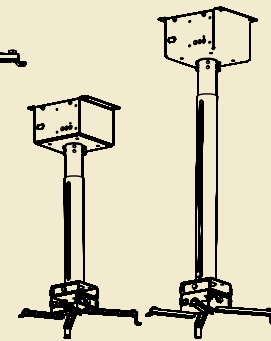
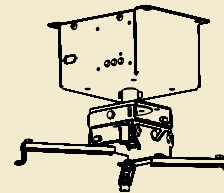


Motorized motion mount for multimedia projectors. Switchable positions from first

to second projection screen. Programmable projection positions.



- Available models:
- LEADER Motion Mount direct (a)
 - LEADER Motion Mount 58-84 (b)
 - LEADER Motion Mount 76-120 (c)



LEADER Motion Mount: direct (a); 58-84 (b); 76-120 (c)

Capacity [kg]	10
Own weight [kg]	a: 3,5; b: 4,5; c: 5,4
Dimensions [mm]	D - 150 W - 194 H - a: 226; b: 585/865; c: 765/1205
Cables management	inside mount hiding cables
Security	stable installation system
Set	• mount; • mounting template; • wall switch; • mounting instruction manual;
Warranty	2 years
Producer	VIZ-ART Automation Europe