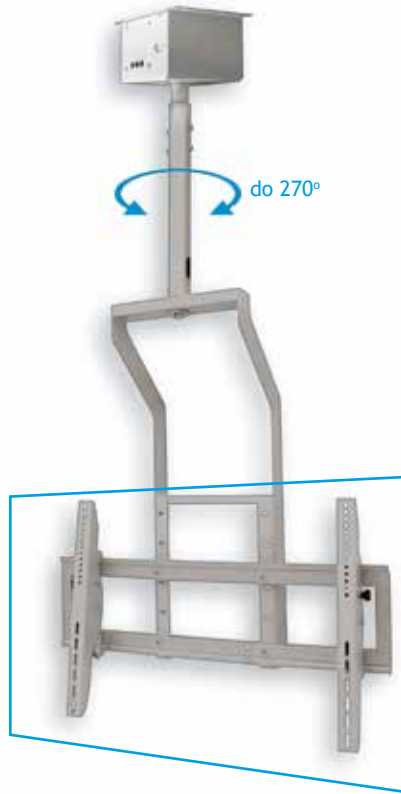


# LEO Motion Mount



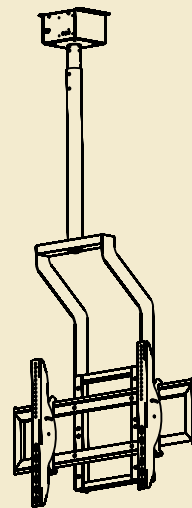
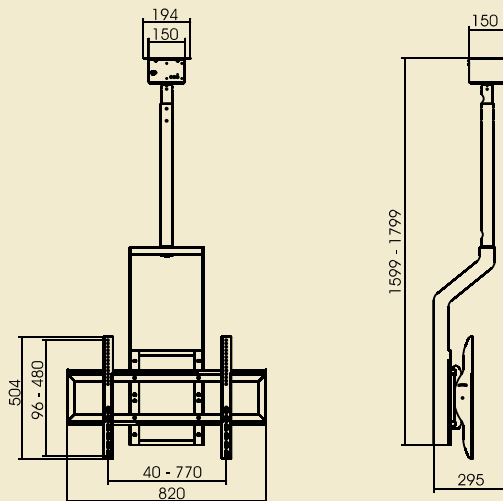
**Advantages:** motorized ceiling motion mount for LCD/TV and monitors; direct and range adjusted arm; inside arm hiding cables. Used in variety Digital Signage projects, commercial and residential installations.

**Functionality:** dedicated for professional use in AV installations; eye-catching solution; reliable and solid construction; Inside mount hiding cables Capacity up to 45kg.; powered 230V; RAL powder coating.



Universal ceiling mount for flat displays with TILT adjustment. direct and height adjusted arm; inside arm hiding cables.

Fits to almost every monitor/TV models. RAL powder coating.



Available models: • LEO Motion Mount



LEO Motion Mount	
Capacity [kg]	26
Own weight [kg]	a: 15
Dimensions [mm]	D - 295 W - 820 H - 1429
Cables management	inside mount hiding cables
Security	stable installation system
Set	• mount; • mounting template; • wall switch; • mounting instruction manual;
Warranty	2 years
Producer	VIZ-ART Automation Europe