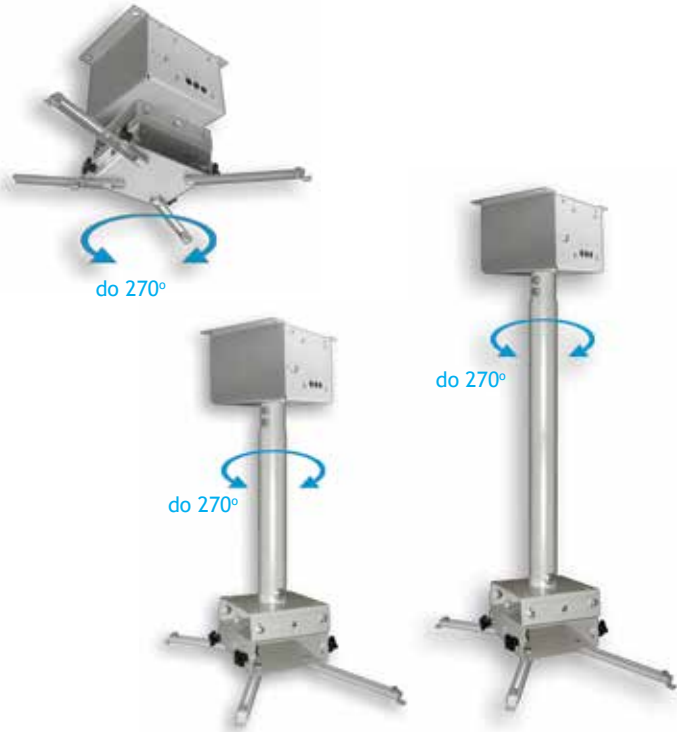


MIDI Motion Mount

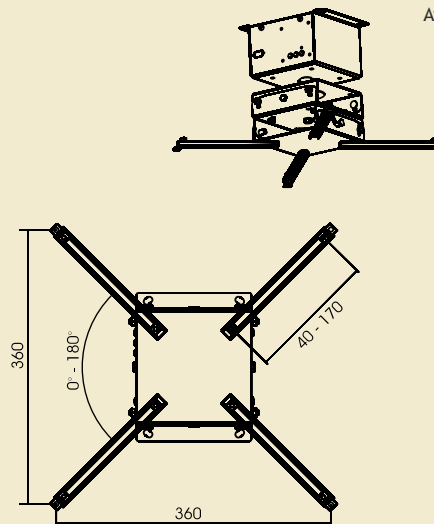
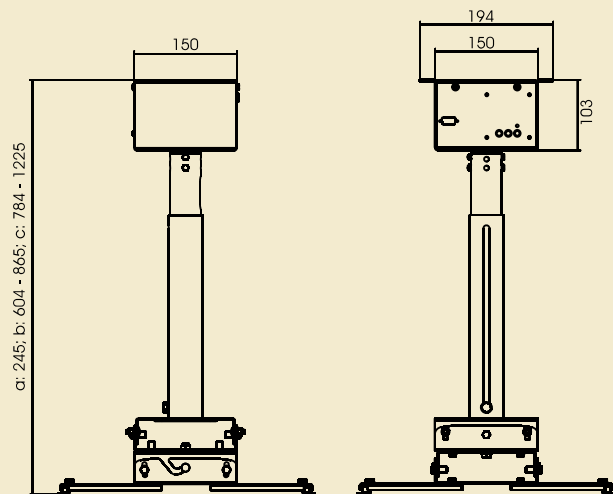


Advantages: motorized motion mount for larger installation projectors; direct and range adjusted arm; for professional projection on two screens (programmable and RS-232); precise adjustment on all axis.

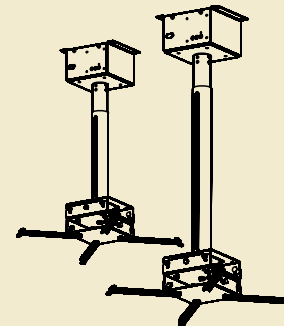
Functionality: dedicated for switchable projection on two screens; rotation up to 270degree; ceiling mounted; adjustment on all axis; powered 230V; capacity 36kg; reliable construction; RAL powder coating.



Motorized motion mount for larger installation projectors weight up to 36kg; Switchable positions from first to second projection screen. Programmable projection positions. Remote (option) or wired (standard) control possible. Easy installation and programming.



- Available models:
- MIDI Motion Mount direct (a)
 - MIDI Motion Mount 58-84 (b)
 - MIDI Motion Mount 76-120 (c)



MIDI Motion Mount: direct (a); 58-84 (b); 76-120 (c)

Capacity [kg]	36
Own weight [kg]	a: 5,5; b: 6,5; b:7,5
Dimensions [mm]	D - 190 W - 190 H - a: 246; b: 585/760; c: 765/1120
Cables management	inside mount hiding cables
Security	stable installation system
Set	• mount; • mounting template; • wall switch; • mounting instruction manual;
Warranty	2 years
Producer	VIZ-ART Automation Europe