

PROTECT



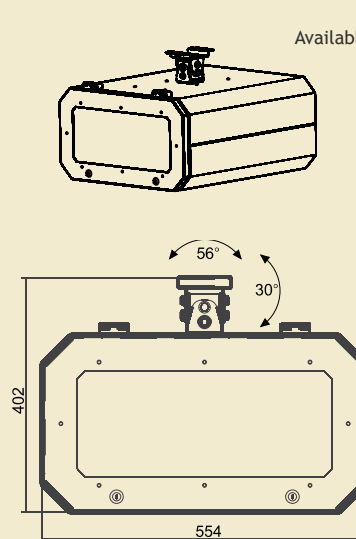
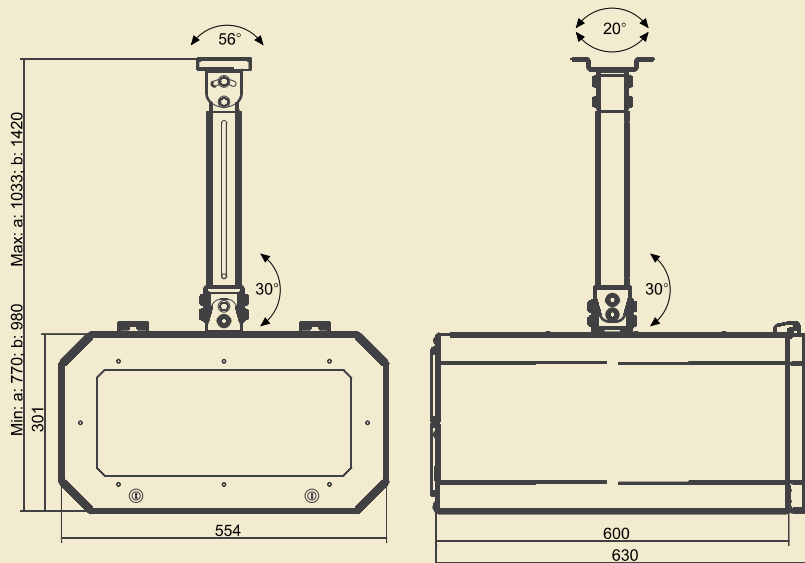
Advantages: housing for DLP/LCD projector for installation in dusty environment; active ventilation system; exchangeable air filter to ensure the best performance; smoothly adjustable arm or direct installation. Options: according to specific work conditions on individual request.

Functionality: adjustable mounting arm for easy projector installation, 230V fan system; exchangeable air filter; fits for multiple projector brands and types

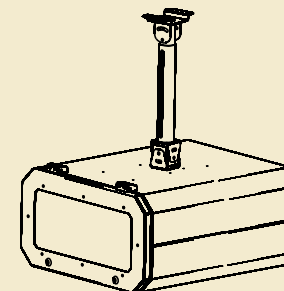


Universal projector housing for operation in difficult conditions (i.e. dusty environment) key lockable.

Options: according to specific operation and conditions and individual inquiries



- Available models:
- PROTECT Slim (a)
 - PROTECT 54-80 (b)
 - PROTECT 72-116 (c)



PROTECT Slim (a); PROTECT 54-80 (b); PROTECT 72-116 (c)

Capacity [kg]	15
Own weight [kg]	a: 10,2; b: 10,5; c:13
Dimensions [mm]	D - 630 W - 554 H - a: 352; b: 721/982; c: 904/1344
Cables management	inside mount hiding cables
Security	stable installation system
Set	• enclosure; • mounting template; • key lock; • mounting instruction manual;
Warranty	2 years
Producer	VIZ-ART Automation Europe