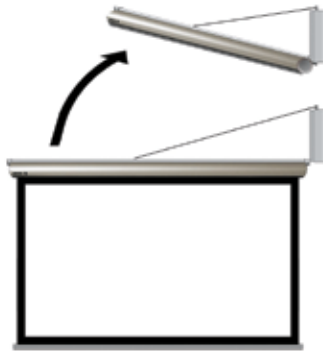


SCREEN-LIFT

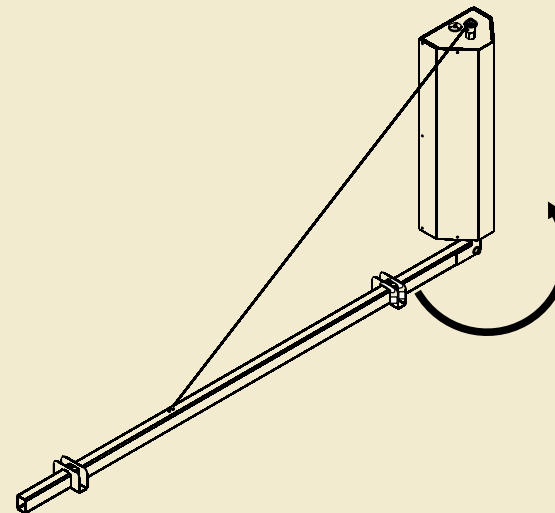
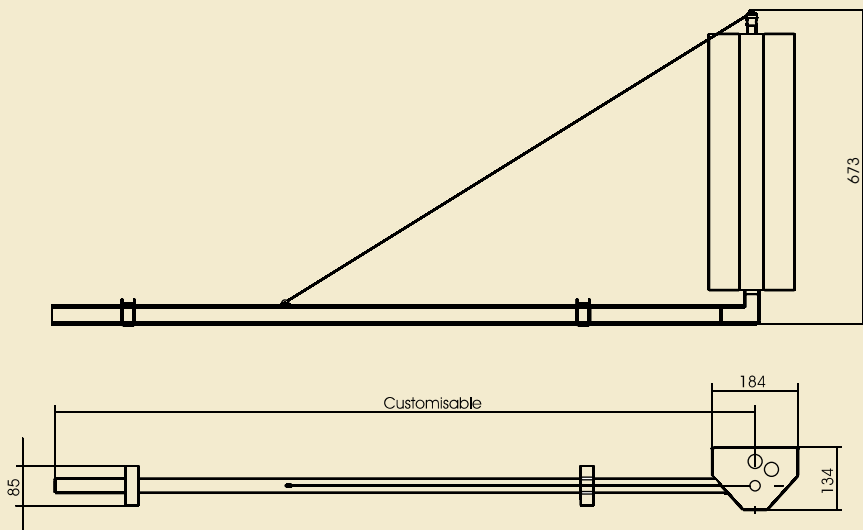


Advantages: tilts a screen with a width from 160 cm to 300 cm, exposing the scene central part and closing at the end of the projection. Introduces AV technology to the conference interiors.

Functionality: quiet and smooth operation; adjustable settings; easy operation; solid construction; stable for screens between 160 - 300 cm; 230V power supply; control options - IR, RF remote control, Trigger, RS232, LVC, SMART Box.



System for tilting a projection screen in the direction of a wall that is often used in conference halls.



Available models: • SCREEN-LIFT



SCREEN-LIFT	
Max. width of base [cm]	300
Capacity [kg]	25
Own weight [kg]	8 - 12
Installation	wall
Control system	<ul style="list-style-type: none"> • wall switch • option: IR RF, Trigger 5-30V, LVC, SMART Box
Power supply	SOMFY, 220V-60Hz, 230V-50Hz; 180W; 42dB
Security	thermal and overload protection,
Set	<ul style="list-style-type: none"> • lift; • mounting instruction manual; • wall switch; • assembly kit;
Warranty	2 years (power supply)
Producer	VIZ-ART Automation Europe