

VIZ-ART SIMPLE Slim

Advantages of the lift: the minimum lift height after folding 1,6 cm allows the projector to be installed together with the lift in an 8 cm space above the ceiling.

Functionality: elegance and free space in the interior; ease of use; accurate positioning and settings; adjustable limit switches; Somfy drive; control options: IR and RF remote control, Trigger and RS232, LVC, SMART Box.

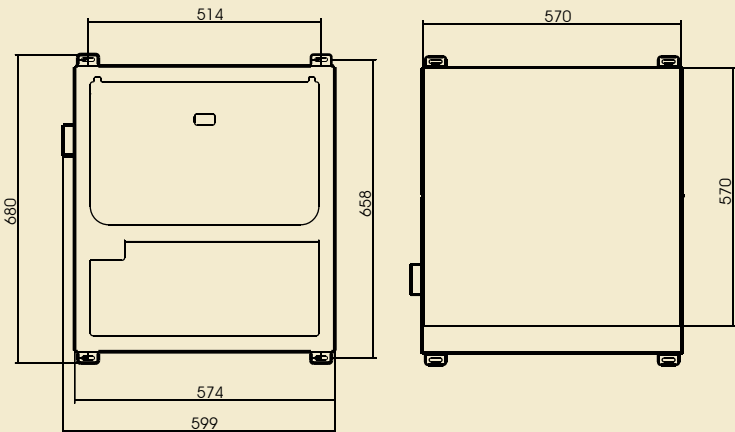


Ceiling lift for projectors with an exceptionally a small height - only 1,6 cm when closed. Chosen for many AV setups in residences and conference rooms. The projector simply descends from the ceiling for the presentation time.

SIMPLE Slim: a: 15/350; b: 15/720; c:15/1100; d: 15/1440; e:15/1800	
Extension [mm]	a: 350; b: 720; c:1100; d: 1440; e:1800
Capacity [kg]	15
Dimensions [mm]	D 680; W 608
Installation space [mm]	H projector + a: 16; b: 34 c: 52; d: 69; e:86
Max dimensions of projector [mm]	W - 460; D - optimal 536; H - without limit
Mounting hole in the ceiling[mm]	575x575
Remote control	• wall switch • option: IR, RF, Trigger, RS232, LVC, SMART Box
Continuous functioning of the engine	4 minutes
Installation	4 points of stability
Power supply	SOMFY, 220V-60Hz, 230V-50Hz; 90W; 42dB
Security	• thermal and overload protection, • safety brake
Set	• lift; • adapter; • ceiling closing panel (frame); • mounting template; • mounting instruction manual; • wall switch; • assembly kit;
Warranty	2 years (power supply)
Producer	VIZ-ART Automation Europe



35cm
72cm
110cm
144cm
180cm



- Available models:
- SIMPLE Slim 15/350 (a);
 - SIMPLE Slim 15/720 (b);
 - SIMPLE Slim 15/1100 (c);
 - SIMPLE Slim 15/1440 (d);
 - SIMPLE Slim 15/1800 (e);

