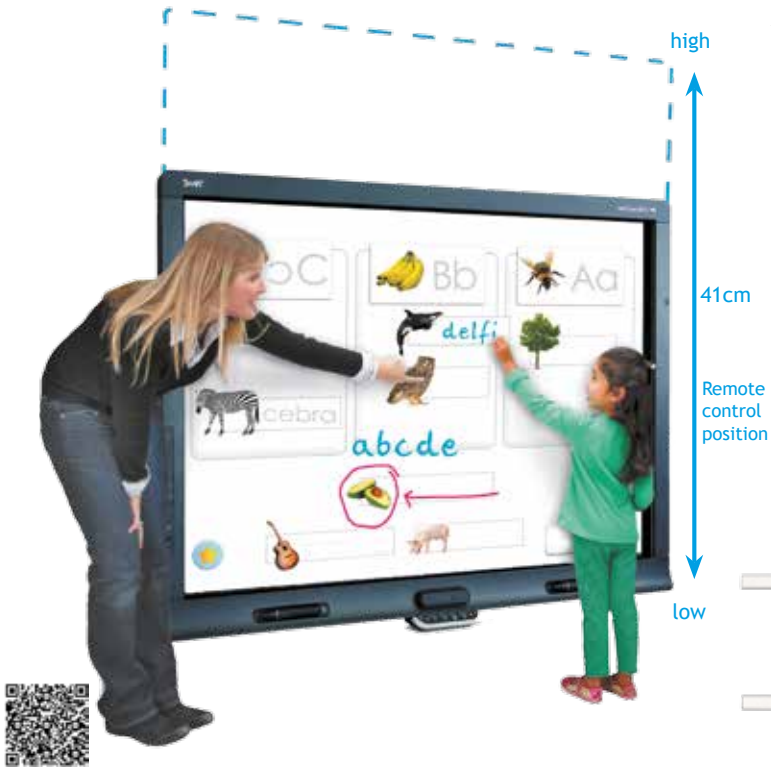
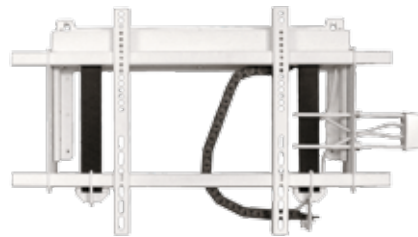
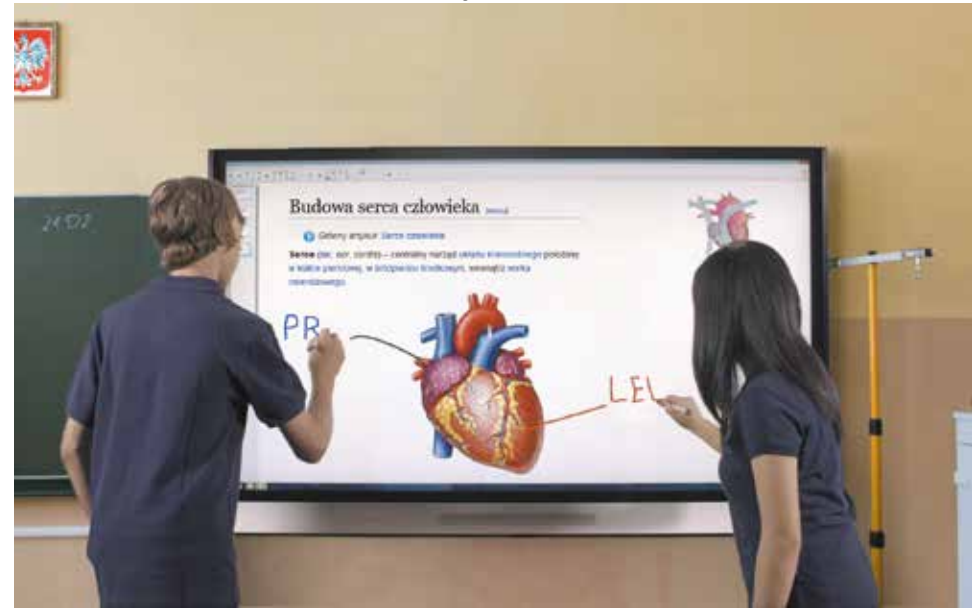


VIZ-ART SMARTBOARD LIFT

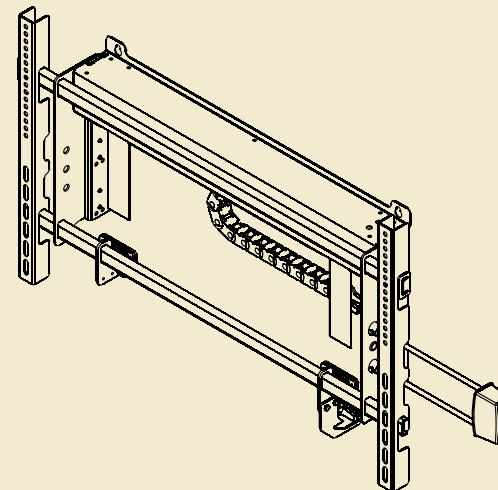
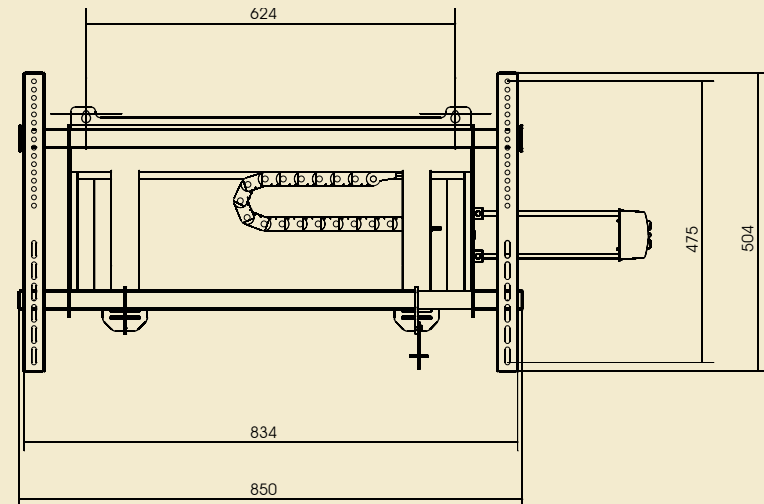


Advantages of the lift: Lift for interactive whiteboards and TV. Easy set-up selected height and remote or button control.

Functionality: quick adjustment of SMARTBOARD position for Users of different heights; no programming needed.



Electric lift for interactive SMARTBOARDS, TV sets.



SMARTBOARD LIFT	
Board / TV size	to 90"
Capacity [kg]	70
Own weight [kg]	16,5
Extension [mm]	410
Installation	<ul style="list-style-type: none"> • wall • stand
Remote control	<ul style="list-style-type: none"> • wall switch • option: IR, RF, Trigger, RS232, LVC, SMART Box
Warranty	1 year
Producer	VIZ-ART Automation Europe