

VIZ-ART UP-SCREEN



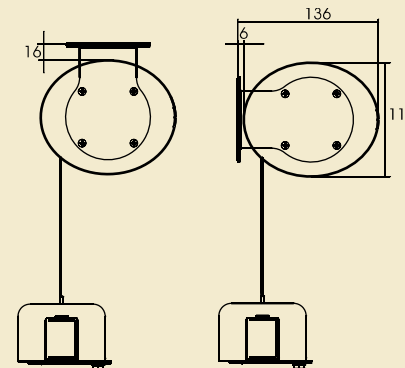
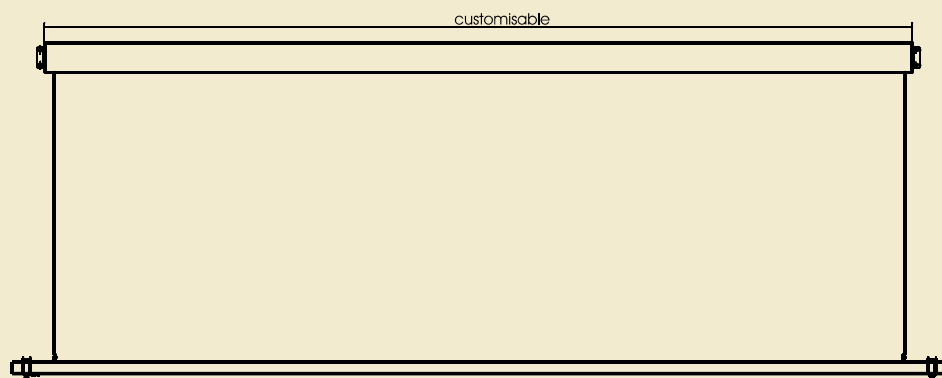
Advantages of the screen:
It lowers the screen to the projection position even in the highest interiors. Automatic automatic powercord winder and a SOMFY engine guarantee long-lasting and stable functioning.

Functionality: Smooth operation; Adjustable stop position and lowering range; power cable retractor in the set, elliptical aluminium housing. Control: remote control IR, RF, Trigger and RS232, LVC, SMART Box.



Lifts are able to lower projection screens to the level where they can be used even in

very high interiors. A screen is lowered during its usage.



Version 2.0

UP-SCREEN	
Casing	aluminium, silver, elliptical shape (option: other RAL)
Case profile	ellipse (W 13 cm x H 11 cm)
Installation	• ceiling; • wall
Max. Width of base [cm]	590
Power cable winder	automatic
Extension [mm]	adjustable
Capacity [kg]	customisable to 35 kg
Control system	• wall switch • option: IR RF, Trigger 5-30V, Trigger 230V, RS232, LVC, SMART Box
Power supply	SOMFY, 220V-60Hz, 230V-50Hz; 42dB
Set	• UP-SCREEN • bearing bar • power cable winder (automatic); • mounting instruction manual; • wall switch; • assembly kit;
Warranty	2 years (power supply)
Producer	VIZ-ART Automation Europe