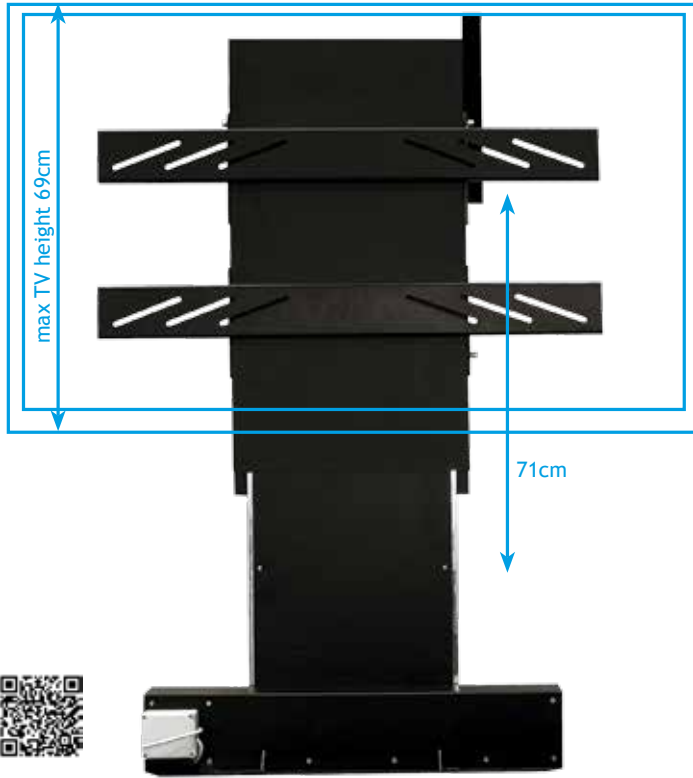


VIZ-ART V-LIFT

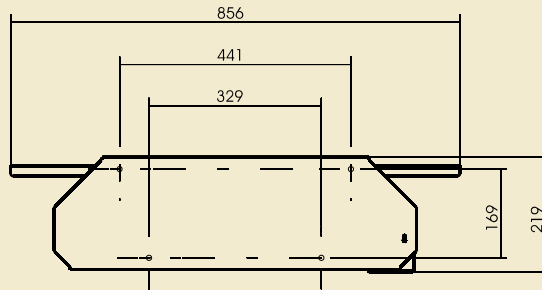
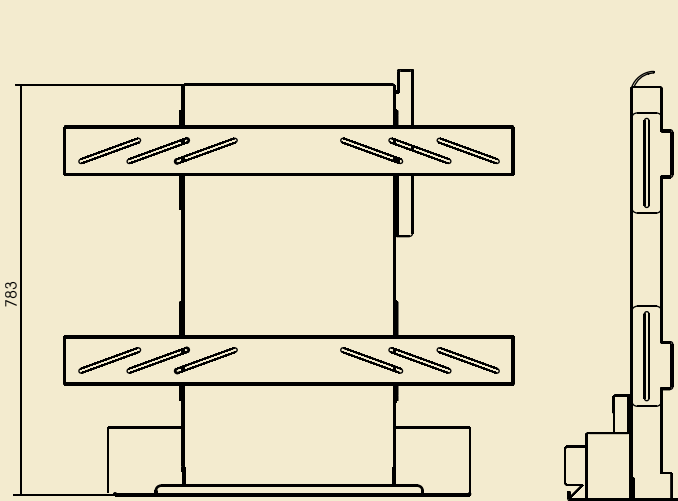


Advantages of the lift: smooth movement chosen by architects in arranged living spaces, in which the TV is to be visible only when needed (e.g. in EIB systems).

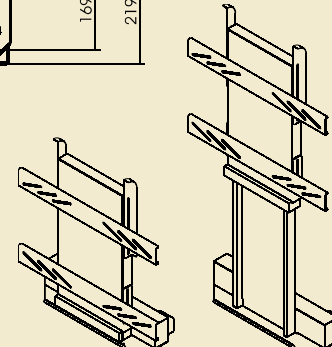
Functionality: large lifting capacity (to 70 kg); easy installation in a piece of furniture or floor; comfort of use; control options: IR, RF remote control, Trigger, RS232 port, LVC, SMART Box.



Vertical lift that slides the television set out from a piece of furniture or the ceiling, also recommended for intelligent home systems. Reliability, easy installation and control via RS232 make it attractive and comfortable to use.



Available models: • V-LIFT



| V-LIFT | |
|--|---|
| Max TV height [mm] | 690 |
| Capacity [kg] | 70 |
| Own weight [kg] | 36 |
| Extension [mm] | 710 |
| Installation | <ul style="list-style-type: none"> furniture floor / ceiling |
| Dimensions [mm] | W - 856 D - 219 H - 783 (max 1493) |
| The dimensions of the mobile assembly [mm] | W - 405 D - 77 H - 783 |
| Remote control | <ul style="list-style-type: none"> wall switch option: IR, RF, Trigger, RS232, LVC, SMART Box |
| Power supply | SOMFY, 220V-60Hz, 230V-50Hz; 90W; 42dB |
| Security | overload and thermal protection |
| Set | <ul style="list-style-type: none"> lift TV bracket cable guide assembly kit wall switch mounting instruction manual |
| Warranty | 2 years (power supply) |
| Producer | VIZ-ART Automation Europe |