

VIZBOX

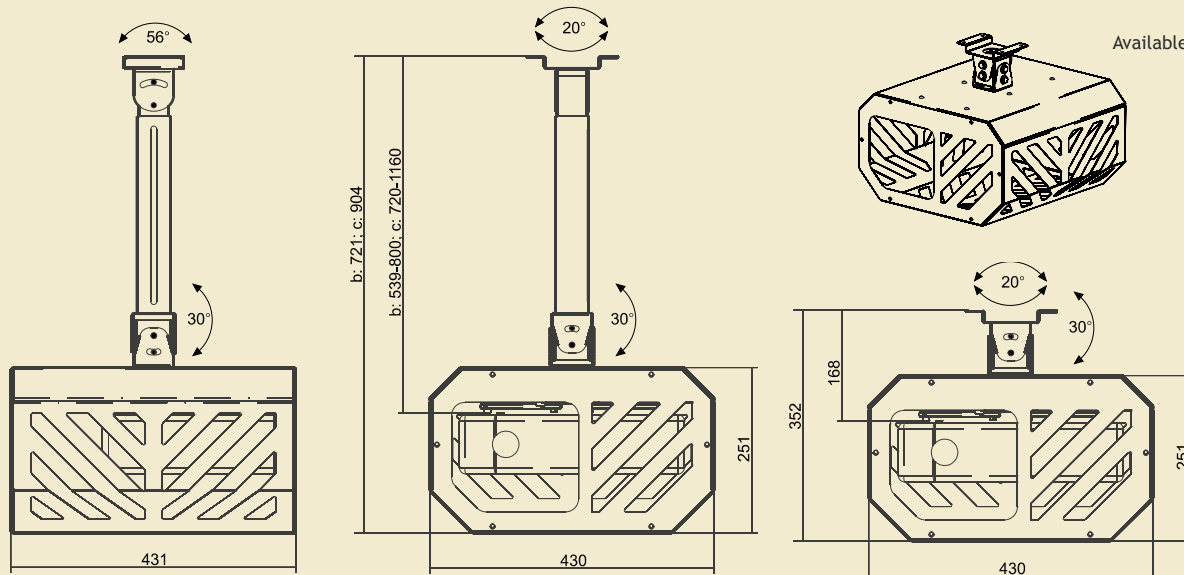


Advantages: provides maximum security by completely enclosing projector. Good air flow for proper operation of AV unit.

Functionality: adjustable projector mount; ventilation holes in the housing; with adjustable arm or direct installation. Well-fitting front for projector lens; adjustment of settings; solid workmanship.

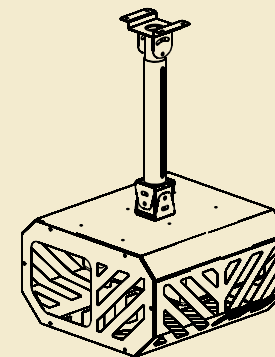


Housing for DLP/LCD projector allowing proper air flow. Height adjustable. key lockable for safety reasons, Ceiling mounted.



Available models:

- VIZBOX Slim (a)
- VIZBOX 54-80 (b)
- VIZBOX 72-116 (c)



Version 2.0

VIZBOX Slim (a); VIZBOX 54-80 (b); VIZBOX 72-116 (c)	
Capacity [kg]	15
Own weight [kg]	a: 10,2; b: 10,5; c:13
Dimensions [mm]	D - 432 W - 430 H - a: 352; b: 721/982; c: 904/1344
Max dimenitions of projector [mm]	W - 335 D - 400 H - 135
Cables management	inside mount hiding cables
Security	stable installation system
Set	• enclosure; • mounting template; • wall switch; • mounting instruction manual;
Warranty	2 years
Producer	VIZ-ART Automation Europe